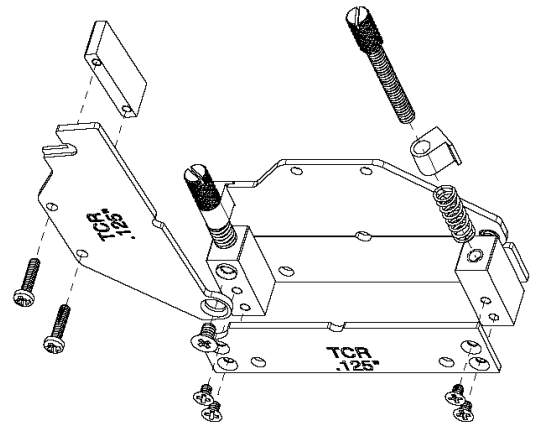


Tube Clamp Replacement Sets

A CSI Designed Innovation for Ease of Use, Improved Quality, & Increased Productivity in Orbital Welding



Providing perfect alignment and a tighter hold during the orbital cycle

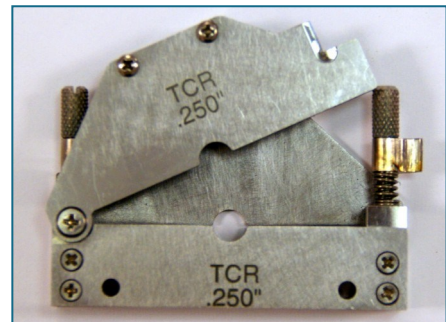
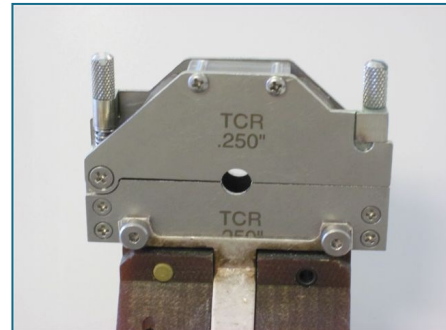
- Designed for ARC Machines (AMI) 9-500 weld head clamp assembly
- 4 sizes: 1/8", 1/4", 3/8", 1/2"
- Modular assembly enables plates to be realigned on center axis of the tube
- Replace one or both side plates instead of the entire clamp assembly

Ordering Information:

1/4" TCR Assembly PN#:	TCR-9500-4
3/8" TCR Assembly PN#:	TCR-9500-6
1/2" TCR Assembly PN#:	TCR-9500-8

Replacement Parts:

1/4" Side Plate Set:	TCR-RSP4
3/8" Side Plate Set:	TCR-RSP6
1/2" Side Plate Set:	TCR-RSP8
Knurled Top Screw w/Spring:	TCR-KTS
Viewing Window w/Screws:	TCR-VW
Clamp Dog:	TCR-CD
Spacer Block:	TCR-SB



Orbital Welding Innovations

Since 2000, Critical Systems, Inc. (CSI) has been supporting the breakthrough technologies of our customers with practical, cost effective solutions that "surround the process tool".